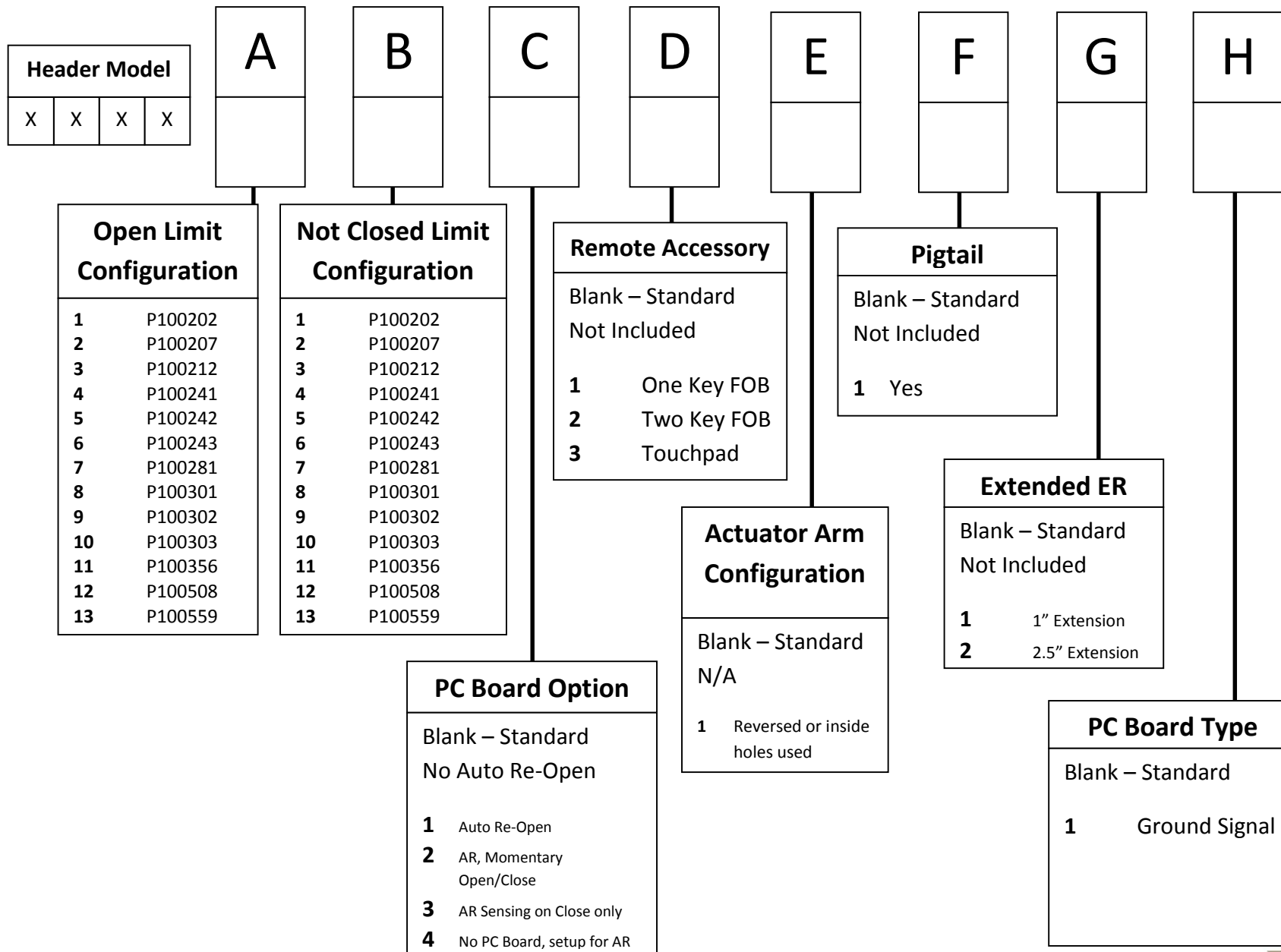
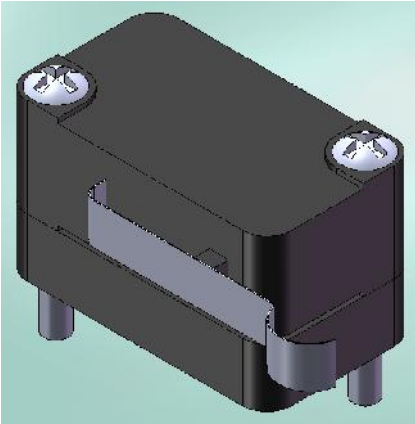


# A&M Systems Header Options Chart

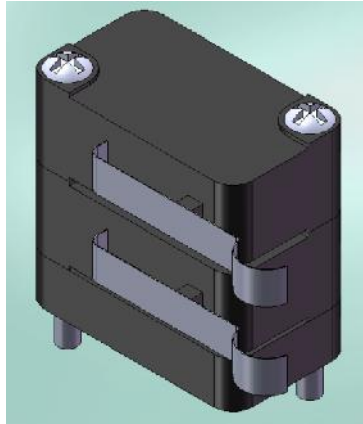


# A&M Systems Limit Switch Configurations

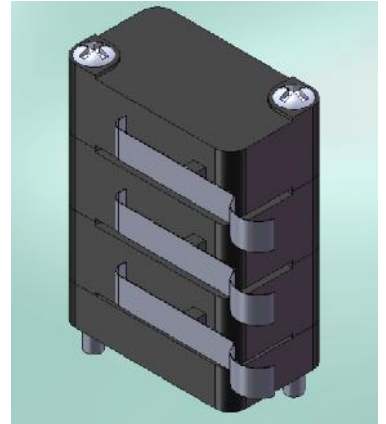
P100202



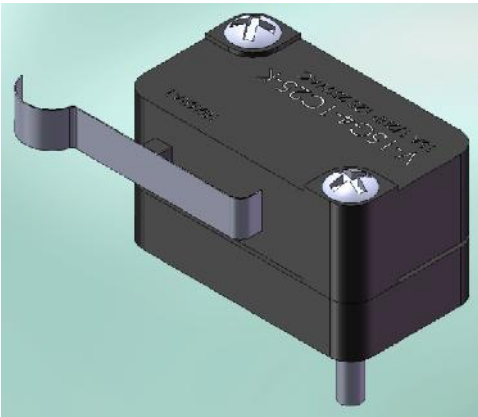
P100207



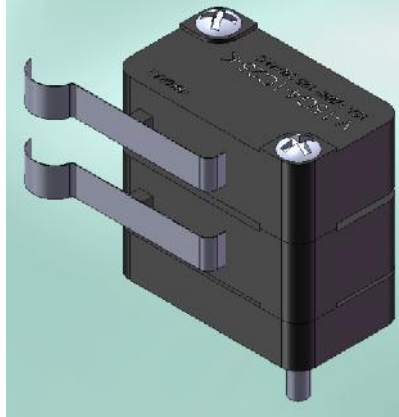
P100212



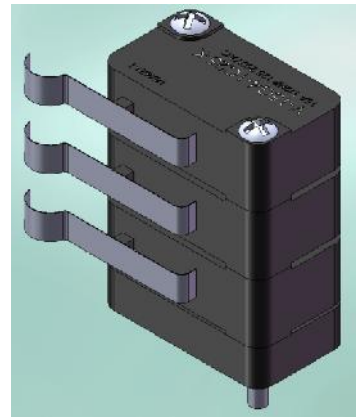
P100241



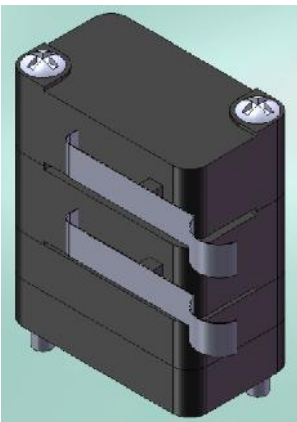
P100242



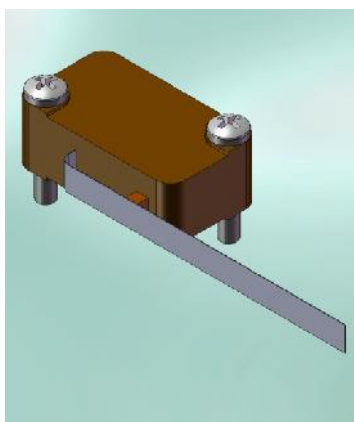
P100243



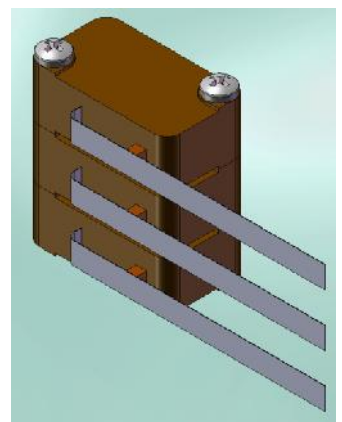
P100281



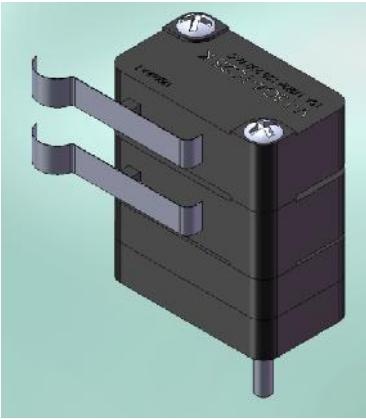
P100301



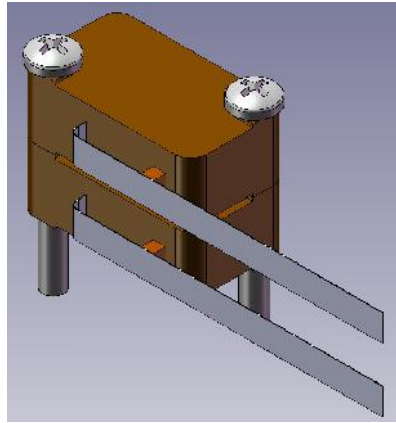
P100302



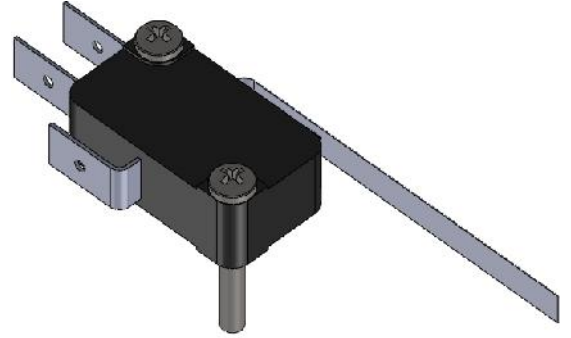
P100303



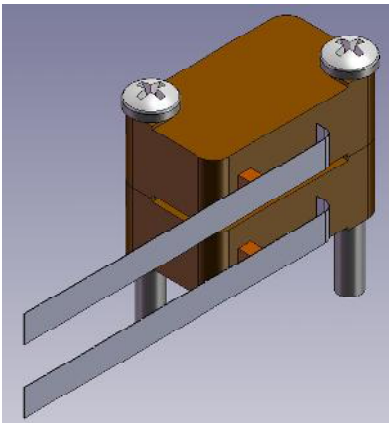
P100356



P100508



P100559



# A&M Systems Header G Option

